

CD4041UB/CD4041UBC Quad True/Complement Buffer

General Description

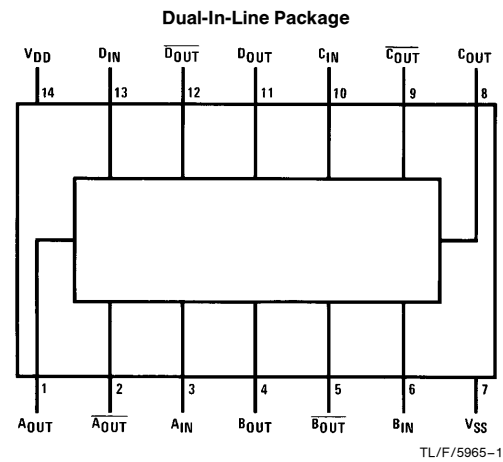
The CD4041UB/CD4041UBC is a quad true/complement buffer consisting of N- and P-channel enhancement mode transistors having low-channel resistance and high current (sourcing and sinking) capability. The CD4041 is intended for use as a buffer, line driver, or CMOS-to-TTL driver.

All inputs are protected from static discharge by diode clamps to V_{DD} and V_{SS} .

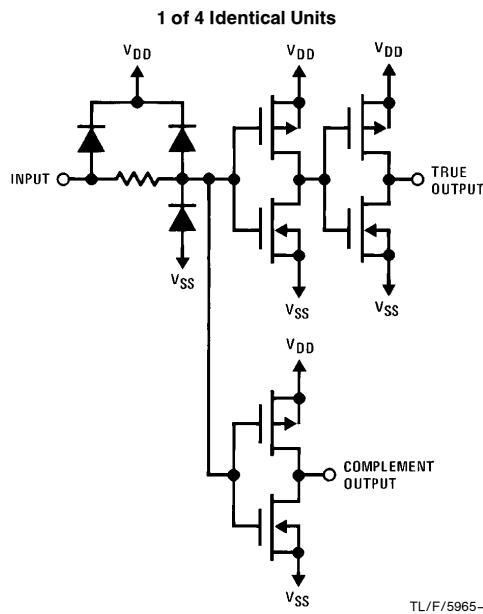
Features

- Wide supply voltage range 3.0V to 15V
- High noise immunity 40% V_{DD} (typ.)
- True output
 - High current source and sink capability
 - 8 mA (typ.) @ $V_O = 9.5V, V_{DD} = 10V$
 - 3.2 mA (typ.) @ $V_O = 0.4V, V_{DD} = 5V$ (two TTL loads)
- Complement output
 - Medium current source and sink capability
 - 3.6 mA (typ.) @ $V_O = 9.5V, V_{DD} = 10V$
 - 1.6 mA (typ.) @ $V_O = 0.4V, V_{DD} = 5V$

Connection and Schematic Diagrams



Top View
Order Number CD4041UB



Absolute Maximum Ratings (Notes 1 and 2)

If Military/Aerospace specified devices are required, please contact the National Semiconductor Sales Office/Distributors for availability and specifications.

Supply Voltage (V_{DD})	-0.5V to +18V
Input Voltage (V_{IN})	-0.5V to V_{DD} + 0.5V
Storage Temperature Range (T_S)	-65°C to +150°C
Power Dissipation (P_D)	
Dual-In-Line	700 mW
Small Outline	500 mW
Lead Temp. (T_L) (Soldering, 10 sec.)	260°C

Recommended Operating Conditions (Note 2)

Supply Voltage (V_{DD})	3V to 15V
Input Voltage (V_{IN})	0V to V_{DD}
Operating Temperature Range (T_A)	
CD4041UB	-55°C to +125°C
CD4041UBC	-40°C to +85°C

DC Electrical Characteristics CD4041UBM (Note 2)

Symbol	Parameter	Conditions	-55°C		+25°C			+125°C		Units
			Min	Max	Min	Typ	Max	Min	Max	
I_{DD}	Quiescent Device Current	$V_{DD} = 5V$		1		0.01	1		30	μA
		$V_{DD} = 10V$		2		0.01	2		60	μA
		$V_{DD} = 15V$		4		0.01	4		120	μA
V_{OL}	Low Level Output Voltage	$ I_O < 1 \mu A, V_{IL} = 0V, V_{IH} = V_{DD}$								
		$V_{DD} = 5V$		0.05		0	0.05		0.05	V
		$V_{DD} = 10V$		0.05		0	0.05		0.05	V
V_{OH}	High Level Output Voltage	$ I_O < 1 \mu A, V_{IL} = 0V, V_{IH} = V_{DD}$								
		$V_{DD} = 5V$	4.95		4.95	5		4.95		V
		$V_{DD} = 10V$	9.95		9.95	10		9.95		V
V_{IL}	Low Level Input Voltage	$ I_O < 1 \mu A$								
		$V_{DD} = 5V, V_O = 0.5V \text{ or } 4.5V$		1.0		2	1.0		1.0	V
		$V_{DD} = 10V, V_O = 1V \text{ or } 9V$		2.0		4	2.0		2.0	V
V_{IH}	High Level Input Voltage	$ I_O < 1 \mu A$								
		$V_{DD} = 5V, V_O = 0.5V \text{ or } 4.5V$	4.0		4.0	3		4.0		V
		$V_{DD} = 10V, V_O = 1V \text{ or } 9V$	8.0		8.0	6		8.0		V
I_{OL}	Low Level Output Current True Output (Note 3)	$V_{IL} = 0V$								
		$V_{DD} = 5V, V_O = 0.4V$	2.1		1.6	3.2		1.2		mA
		$V_{DD} = 10V, V_O = 0.5V$	6.25		5.0	10		3.5		mA
I_{OL}	Low Level Output Current Complement Output (Note 3)	$V_{IH} = V_{DD}$								
		$V_{DD} = 5V, V_O = 0.4V$	1.0		0.8	1.6		0.55		mA
		$V_{DD} = 10V, V_O = 0.5V$	2.5		2	4.0		1.4		mA
I_{OH}	High Level Output Current True Output (Note 3)	$V_{IH} = V_{DD}$								
		$V_{DD} = 5V, V_O = 4.6V$	-1.75		-1.4	-2.8		-1.0		mA
		$V_{DD} = 10V, V_O = 9.5V$	-5.0		-4	-8.0		-2.8		mA
I_{OH}	High Level Output Current Complement Output (Note 3)	$V_{IL} = 0V$								
		$V_{DD} = 5V, V_O = 4.6V$	-0.75		-0.6	-1.2		-0.4		mA
		$V_{DD} = 10V, V_O = 9.5V$	-2.25		-1.8	-3.6		-1.25		mA
I_{IN}	Input Current	$V_{DD} = 15V, V_{IN} = 0V$		-0.1		-10^{-5}	-0.1		-1.0	μA
		$V_{DD} = 15V, V_{IN} = 15V$		0.1		10^{-5}	0.1		1.0	μA

Note 1: "Absolute Maximum Ratings" are those values beyond which the safety of the device cannot be guaranteed. They are not meant to imply that the devices should be operated at these limits. The tables of "Recommended Operating Conditions" and "Electrical Characteristics" provide conditions for actual device operation.

Note 2: $V_{SS} = 0V$ unless otherwise specified.

Note 3: I_{OH} and I_{OL} are tested one output at a time.

DC Electrical Characteristics CD4041UBC (Note 2)

Symbol	Parameter	Conditions	-40°C		+25°C			+85°C		Units
			Min	Max	Min	Typ	Max	Min	Max	
I _{DD}	Quiescent Device Current	V _{DD} = 5V V _{DD} = 10V V _{DD} = 15V		4 8 16		0.01 0.01 0.01	4 8 16		30 60 120	μA μA μA
V _{OL}	Low Level Output Voltage	I _O < 1 μA, V _{IL} = 0V, V _{IH} = V _{DD} V _{DD} = 5V V _{DD} = 10V V _{DD} = 15V		0.05 0.05 0.05		0 0 0	0.05 0.05 0.05		0.05 0.05 0.05	V V V
V _{OH}	High Level Output Voltage	I _O < 1 μA, V _{IL} = 0V, V _{IH} = V _{DD} V _{DD} = 5V V _{DD} = 10V V _{DD} = 15V	4.95 9.95 14.95		4.95 9.95 14.95	5 10 15		4.95 9.95 14.95		V V V
V _{IL}	Low Level Input Voltage	I _O < 1 μA V _{DD} = 5V, V _O = 0.5V or 4.5V V _{DD} = 10V, V _O = 1V or 9V V _{DD} = 15V, V _O = 1.5V or 13.5V		1.0 2.0 3.0		2 4 6	1.0 2.0 3.0		1.0 2.0 3.0	V V V
V _{IH}	High Level Input Voltage	I _O < 1 μA V _{DD} = 5V, V _O = 0.5V or 4.5V V _{DD} = 10V, V _O = 1V or 9V V _{DD} = 15V, V _O = 1.5V or 13.5V	4.0 8.0 12.0		4.0 8.0 12.0	3 6 9		4.0 8.0 12.0		V V V
I _{OL}	Low Level Output Current True Output (Note 3)	V _{IL} = 0V V _{DD} = 5V, V _O = 0.4V V _{DD} = 10V, V _O = 0.5V V _{DD} = 15V, V _O = 1.5V	1.7 4.9 11		1.5 4.3 10	3.2 10 24		1.2 3.5 8		mA mA mA
I _{OL}	Low Level Output Current Complement Output (Note 3)	V _{IH} = V _{DD} V _{DD} = 5V, V _O = 0.4V V _{DD} = 10V, V _O = 0.5V V _{DD} = 15V, V _O = 1.5V	0.75 2.0 4.4		0.68 1.8 3.8	1.6 4.0 9.0		0.55 1.4 3.0		mA mA mA
I _{OH}	High Level Output Current True Output (Note 3)	V _{IH} = V _{DD} V _{DD} = 5V, V _O = 4.6V V _{DD} = 10V, V _O = 9.5V V _{DD} = 15V, V _O = 13.5V	-1.5 -4.0 -8.7		-1.3 -3.5 -7.5	-2.8 -8.0 -18		-1.0 -2.8 -6		mA mA mA
I _{OH}	High Level Output Current Complement Output (Note 3)	V _{IL} = 0V V _{DD} = 5V, V _O = 4.6V V _{DD} = 10V, V _O = 9.5V V _{DD} = 15V, V _O = 13.5V	-0.57 -1.8 -3.9		-0.50 -1.6 -3.4	-1.2 -3.6 -8.0		-0.4 -1.25 -2.7		mA mA mA
I _{IN}	Input Current	V _{DD} = 15V, V _{IN} = 0V V _{DD} = 15V, V _{IN} = 15V		-0.3 0.3		-10 ⁻⁵ 10 ⁻⁵	-0.3 0.3		-1.0 1.0	μA μA

AC Electrical Characteristics*

T_A = 25°C, C_L = 50 pF, R_L = 200k, Input t_r = t_f = 20 ns, unless otherwise specified

Symbol	Parameter	Conditions	Min	Typ	Max	Units
t _{PHL} , t _{PLH}	Propagation Delay Time True Output	V _{DD} = 5V V _{DD} = 10V V _{DD} = 15V		60 35 25	120 70 50	ns ns ns
t _{PHL} , t _{PLH}	Propagation Delay Time Complement Output	V _{DD} = 5V V _{DD} = 10V V _{DD} = 15V		75 40 30	150 80 65	ns ns ns
t _{THL} , t _{TLH}	Output Transition Time True Output	V _{DD} = 5V V _{DD} = 10V V _{DD} = 15V		55 30 25	110 60 50	ns ns ns

AC Electrical Characteristics* (Continued)

$T_A = 25^\circ\text{C}$, $C_L = 50\text{ pF}$, $R_L = 200\text{ k}$, Input $t_r = t_f = 20\text{ ns}$, unless otherwise specified

Symbol	Parameter	Conditions	Min	Typ	Max	Units
t_{THL} , t_{TLH}	Output Transition Time Complement Output	$V_{DD} = 5\text{V}$		90	180	ns
		$V_{DD} = 10\text{V}$		45	90	ns
		$V_{DD} = 15\text{V}$		35	75	ns
C_{IN}	Input Capacitance	Any Input		10	15	pF

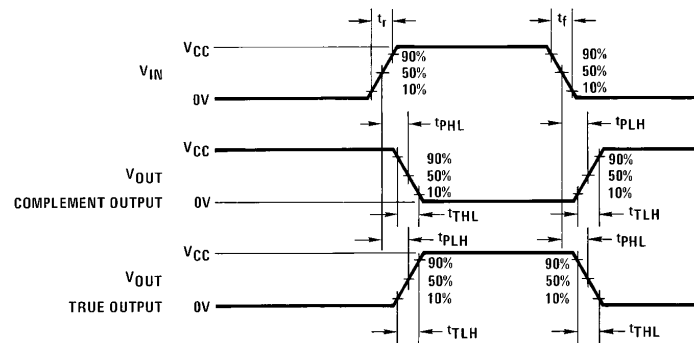
*AC Parameters are guaranteed by DC correlated testing.

Note 1: "Absolute Maximum Ratings" are those values beyond which the safety of the device cannot be guaranteed. They are not meant to imply that the devices should be operated at these limits. The tables of "Recommended Operating Conditions" and "Electrical Characteristics" provide conditions for actual device operation.

Note 2: $V_{SS} = 0\text{V}$ unless otherwise specified.

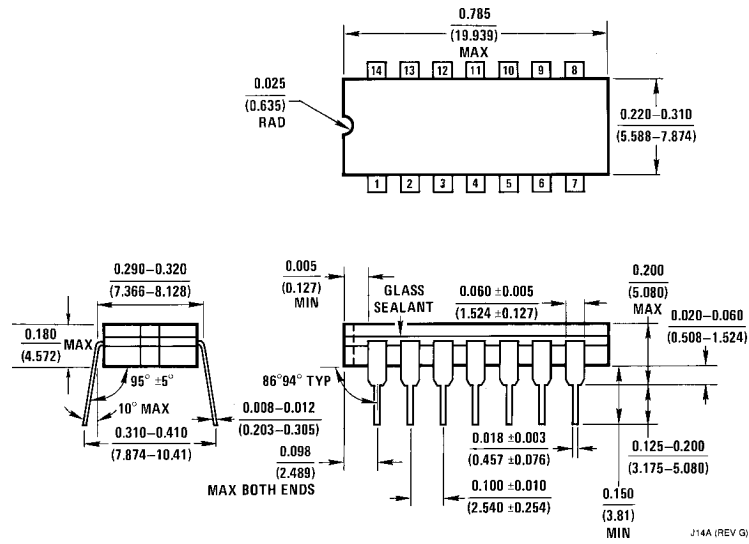
Note 3: I_{OH} and I_{OL} are tested one output at a time.

Switching Time Waveforms



TL/F/5965-3

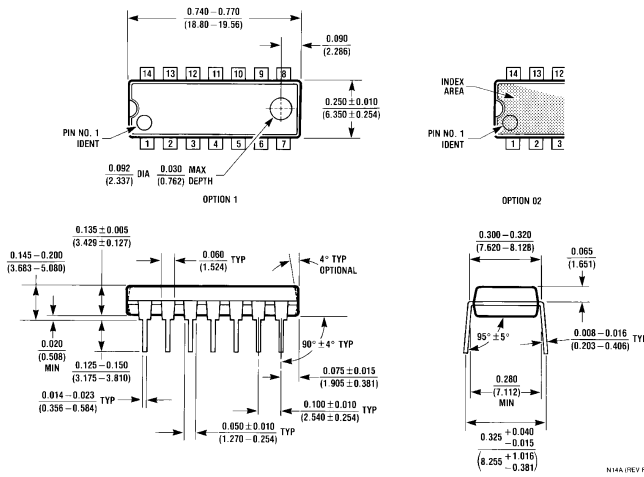
Physical Dimensions inches (millimeters)



Ceramic Dual-In-Line Package (J)
Order Number CD4041UBMJ or CD4041UBCJ
NS Package Number J14A

J14A (REV G)

Physical Dimensions inches (millimeters) (Continued)



Molded Dual-In-Line Package (N)
Order Number CD4041UBN or CD4041UBCN
NS Package Number N14A

LIFE SUPPORT POLICY

NATIONAL'S PRODUCTS ARE NOT AUTHORIZED FOR USE AS CRITICAL COMPONENTS IN LIFE SUPPORT DEVICES OR SYSTEMS WITHOUT THE EXPRESS WRITTEN APPROVAL OF THE PRESIDENT OF NATIONAL SEMICONDUCTOR CORPORATION. As used herein:

1. Life support devices or systems are devices or systems which, (a) are intended for surgical implant into the body, or (b) support or sustain life, and whose failure to perform, when properly used in accordance with instructions for use provided in the labeling, can be reasonably expected to result in a significant injury to the user.
2. A critical component is any component of a life support device or system whose failure to perform can be reasonably expected to cause the failure of the life support device or system, or to affect its safety or effectiveness.



National Semiconductor Corporation
 1111 West Bardin Road
 Arlington, TX 76017
 Tel: 1(800) 272-9959
 Fax: 1(800) 737-7018

National Semiconductor Europe
 Fax: (+49) 0-180-530 85 86
 Email: cnjwge@tevm2.nsc.com
 Deutsch Tel: (+49) 0-180-530 85 85
 English Tel: (+49) 0-180-532 78 32
 Français Tel: (+49) 0-180-532 93 58
 Italiano Tel: (+49) 0-180-534 16 80

National Semiconductor Hong Kong Ltd.
 19th Floor, Straight Block,
 Ocean Centre, 5 Canton Rd.
 Tsimshatsui, Kowloon
 Hong Kong
 Tel: (852) 2737-1600
 Fax: (852) 2736-9960

National Semiconductor Japan Ltd.
 Tel: 81-043-299-2309
 Fax: 81-043-299-2408

National does not assume any responsibility for use of any circuitry described, no circuit patent licenses are implied and National reserves the right at any time without notice to change said circuitry and specifications.

This datasheet has been download from:

www.datasheetcatalog.com

Datasheets for electronics components.