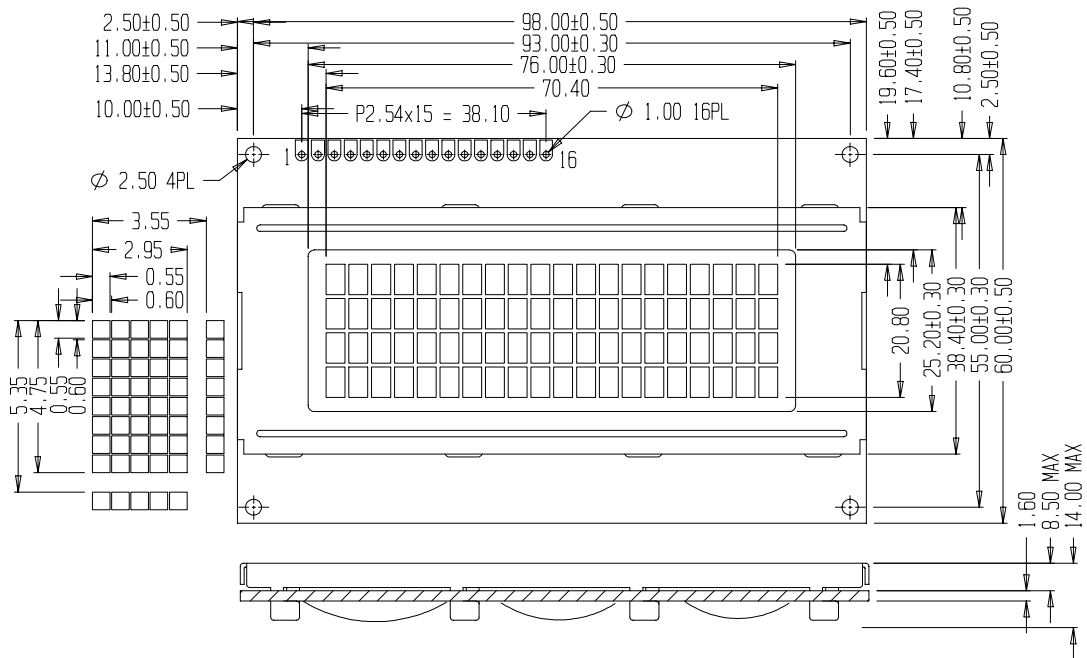


**■ PHYSICAL DATA**

Item	Contents	Unit
LCD type	STN	---
LCD duty	1/16	---
LCD bias	1/5	---
Viewing direction	6	o'clock
Module size (W×H×T)	98 × 60 × 14MAX (3.86" × 2.36" × 0.55"MAX)	mm
Viewing area (W×H)	76 × 25.2 (2.99" × 0.99")	mm
Number of characters (characters×lines)	20 × 4	---
Character matrix (W×H)	5 × 8	dots
Character size (W×H)	3.55 × 5.35 (0.140" × 0.211")	mm
Dot size (W×H)	0.55 × 0.55 (0.022" × 0.022")	mm
Dot pitch (W×H)	0.60 × 0.60 (0.024" × 0.024")	mm

**■ EXTERNAL DIMENSIONS**



**■ BLOCK DIAGRAM**

1	2	3	4	5	6	7	8	9	10	11	12	13	14	15	16
VSS	VDD	VO	RS	R/W	E	DB0	DB1	DB2	DB3	DB4	DB5	DB6	DB7	BLA	BLK

