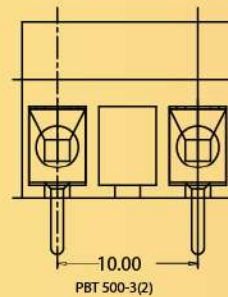
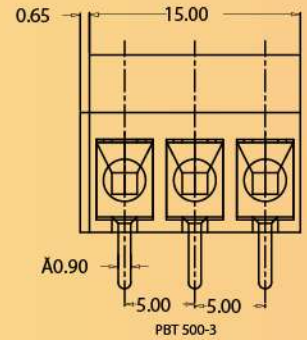
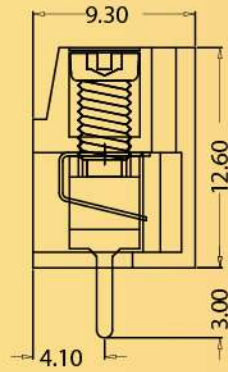
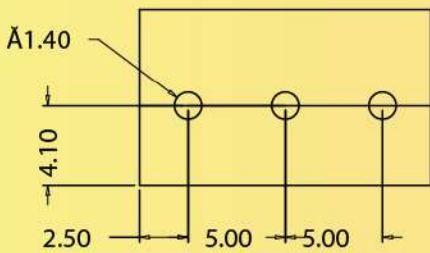
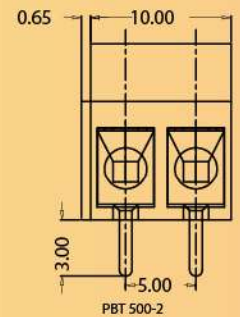


PCB Layout



Wire Entry



Note: (1) Flame Retardent Grade Insulator Confirming to UL 94 V-O available on Request.
 (2) Recommended PCB hole 1.40mm.

TECHNICAL SPECIFICATION

Note: All Dimension are in mm

PARAMETERS	SERIES	500 (2 & 3 WAY)
Current Rating		CE:10A, UL & CSA:5A
Voltage Rating		CE:415V,UL & CSA:300V
Insulation Resistance		> 1000M ohms at 500V DC
Dielectric Strength		>2 KV
Moulded Material		Engineering Thermoplastic
Terminal		Solid Brass alloy - Tinned
Pitch		5.00mm
Screw		MS(Zinc Plated)/Brass(Nickel plated)
Wire size without Protector		2.5 Sq.mm(Max)/14-26 AWG (without Protector:4 Sq.mm(max))
Wire Protector		Copper alloy
Screw Size		M3
Max. torque for terminal screws		0.4 Nm

Series Also Includes...



500



501



350



381



PBT W



762



527



ETK 50



PUT 2.5