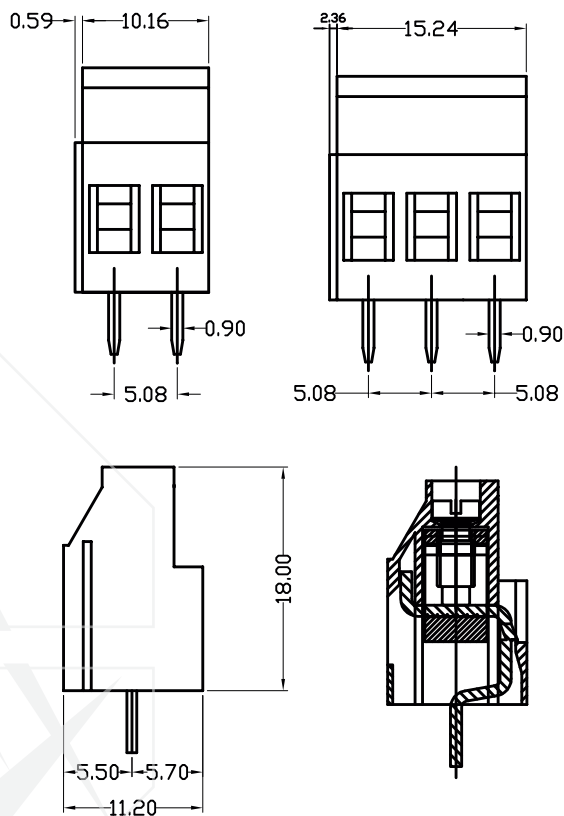


Series 508

[Models : 508/2, 508/3]

Double Locking is also available
Straight Mounting [Rising Cage Clamp System]



TECHNICAL SPECIFICATIONS:

Pitch	: 5.08 mm
Rated Current	: 24 A
Rated Voltage	: 300 V
Dielectric Strength	: > 2 kV
Moulded Material	: Polyamide (Nylon) 66 - UL94 V0 or V2
Insulation Resistance	: > 1000 M-ohm @ 500 Vdc
Terminal	: Tin plated copper alloy
Wire Cage	: Brass Nickel plated M3 x 0.50 mm
Screw	: Brass Tin plated (Professional Grade) - P MS Trivalent Zinc plated (Commercial Grade) - C
Wire Size	: 2.5 mm ²
Maximum Torque	: 0.50 - 0.60 Nm

Approval Data

UL	: 300 V / 10 A / 26-12 AWG
cUL	: 300 V / 10 A / 26-12 AWG
CE	: 300 V / 24 A / 26-12 AWG

Note : (1) In order to avoid tolerance between terminal blocks & printed circuit boards, the terminal strip should be interrupted when the number of positions exceeds 30.
(2) Recommended PCB hole diameter 1.3 mm